



# SAFETY ALERT

30th November 2005



A recent incident on a WA construction site has caused serious, permanent injuries to a young worker. While working near an excavator fitted with a quick hitch device the bucket fell from the excavator on to the worker.

Quick hitch devices are used on earth moving equipment for ease and speed of attachment removal and change. These devices depend on positive hydraulic pressure and mechanical locks to hold on to buckets and other attachments.

**When quick hitch devices are used they must comply with, the Occupational Health and Safety Act in particular the Australian Standards 1418 part 5, which specify the conditions required for use.**

**They include:**

- **An independent latching device which is positively and mechanically (i.e. safety pin), locked in an engaged position which cannot be unintentionally disengaged;**
- **Markings which include details of manufacturers name and model, maximum rated capacity, quick hitch mass and lifting point capacity;**
- **If earthmoving plant is used to lift or suspend loads they must travel with the boom retracted to minimum practical radius;**
- **No person shall be permitted under the boom or suspended load;**
- **All persons operating the earth moving equipment slinging or directing the load shall have the appropriate certificate.**

**If earthmoving equipment is being operated on your site with quick hitch devices there must be a safe system of work adopted and it is essential that the mechanical locking pins are used to ensure that uncontrolled release does not occur. If the Australian Standard requirements are not adhered to the machine MUST not be used.**

Any queries about this or other health and safety concerns please ring your union office or union safety advisor Dick Whitehead (phone 0411 266 287).

PTO ➤

**PRINT THIS LEAFLET AND PLACE IT ON YOUR NOTICE BOARD AT WORK.**

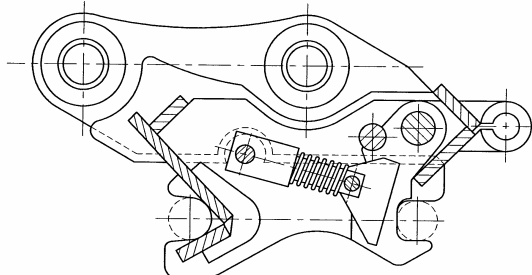
Authorised by Dick Whitehead, Safety Officer, CFMEU (Construction & General Division) NSW Branch  
12 Railway Street, Lidcombe NSW 2141 Ph: (02) 9749 0400

Email: [dwhitehead@nsw.cfmeu.asn.au](mailto:dwhitehead@nsw.cfmeu.asn.au) Web: [www.cfmeu-construction-nsw.com](http://www.cfmeu-construction-nsw.com)

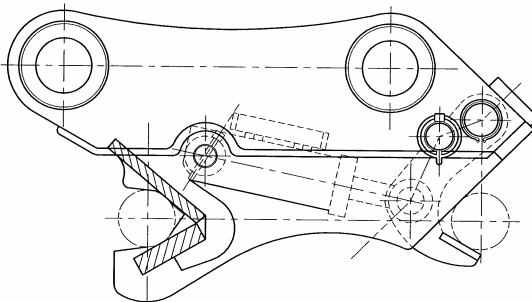
Tune in to Workers Radio Sydney 88.9FM Weekdays 5:30am – 9:00am

APPENDIX G  
TYPICAL QUICK HITCH TYPES  
(Informative)

Figure G1 shows examples of quick hitch types.



(a) Typical mechanical quick hitch



(b) Typical hydraulic quick hitch

FIGURE G1 TYPICAL QUICK HITCH TYPES

COPYRIGHT

**QUICK HITCH DIAGRAM EXTRACTED FROM AUSTRALIAN STANDARDS 1418 PART 5**



**PRINT THIS LEAFLET AND PLACE IT ON YOUR NOTICE BOARD AT WORK**



Authorised by Dick Whitehead, Safety Officer, CFMEU (Construction & General Division) NSW Branch  
12 Railway Street, Lidcombe NSW 2141 Ph: (02) 9749 0400

Email: [dwhitehead@nsw.cfmeu.asn.au](mailto:dwhitehead@nsw.cfmeu.asn.au) Web: [www.cfmeu-construction-nsw.com](http://www.cfmeu-construction-nsw.com)

Your Rights At Work website - <http://www.rightsatwork.com.au/>

Tune in to Workers Radio Sydney 88.9FM Weekdays 5:30am – 9:00am